

# WALL MOUNT BRACKETS

## HY-W0801 HY-W0801W

Thank you for purchasing TOA's Wall Mount Bracket.  
Please carefully follow the instructions in this manual to ensure long, trouble-free use of your equipment.

### 1. SAFETY PRECAUTIONS

**WARNING** Indicates a potentially hazardous situation which, if mishandled, could result in death or serious personal injury.

- Install the unit only in a location that can structurally support the total weight of the unit and the speaker. Doing otherwise may result in the speaker falling down and causing personal injury and/or property damage.
- Owing to the speaker's size and weight, be sure that at least two persons are available to install the speaker. Failure to do so could result in personal injury.
- Do not use other methods than specified below to mount the bracket. Extreme force is applied to the unit, or rust may deteriorate the unit, which then could fall off, possibly resulting in personal injuries.
  - As the unit cannot be used separately, be sure to use it in conjunction with the specified bracket.
  - As the unit is designed for in-door use, do not install it outdoors.
  - Do not install the unit to a ceiling.
- Use nuts and bolts (not supplied with the unit) that are appropriate for the wall's structure and composition. Failure to do so may cause the speaker to fall, resulting in material damage and possible personal injury.
- Tighten each nut and bolt securely. Ensure that the bracket has no loose joints after installation to prevent accidents that could result in personal injury.
- Do not hang down from the unit as this may cause it fall away from the wall surface, resulting in personal injury.

### 2. GENERAL DESCRIPTION

The HY-W0801 and HY-W0801W Wall Mount Brackets are designed to mount the speaker system on a wall in conjunction with the optional speaker mount bracket.

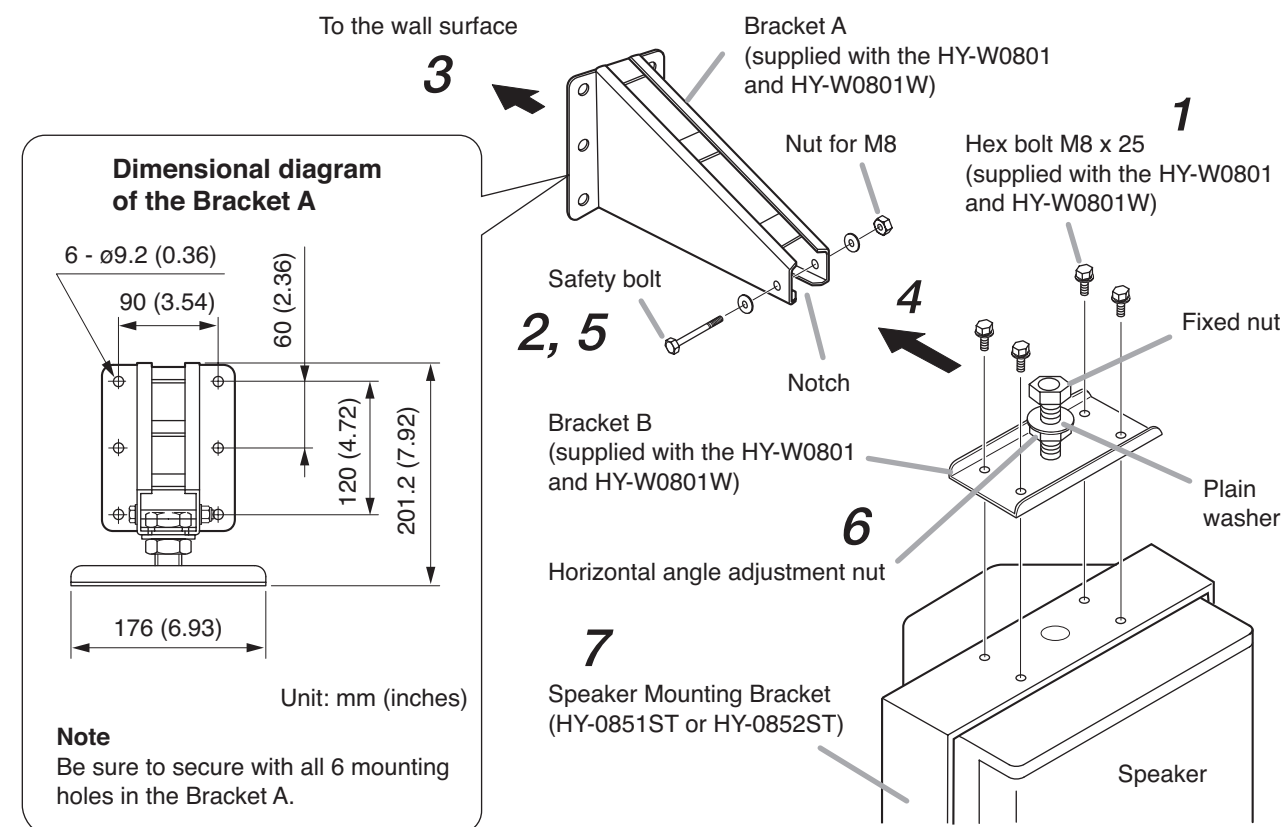
### 3. SPECIFICATIONS

Model	HY-W0801	HY-W0801W
Applicable speaker	ES-0851, HS-120B, HS-150B, HS-1200BT, HS-1500BT	HS-120W, HS-150W, HS-1200WT, HS-1500WT
Applicable mounting bracket	HY-0851ST, HY-0852ST, HY-1200VB, HY-1200HB, HY-1500VB, HY-1500HB	HY-1200VW, HY-1200HW, HY-1500VW, HY-1500HW
Finish	Rolled steel plate, black, medium gloss, paint	Rolled steel plate, white, medium gloss, paint
Weight	4 kg (8.82 lb)	
Accessory	Hex bolt (with spring and plain washers) M8 x 25 ..... 4	

**Note:** The design and specifications are subject to change without notice for improvement.

### 4. INSTALLATION

The example here shows the installation procedures of the Wall Mount Bracket in conjunction with the HY-0851ST or HY-0852ST Speaker Mounting Bracket.  
For the installation procedures to the HY-1200 or HY-1500 Series Mounting Bracket, refer to the instruction manual attached to each mounting bracket.



**Step 1.** Attach the Bracket B to the HY-0851ST or HY-0852ST Speaker Mounting Bracket.

**Note**  
For the speaker installation, refer to the instruction manual attached to the HY-0851ST or HY-0852ST.

**Step 2.** Remove the safety bolt from the Bracket A.

**Step 3.** Install the Bracket A on the wall using 6 bolts.

**WARNING** Bolts and nuts used to fix the Bracket A on a wall are not included. Prepare those that are appropriate for the wall's structure and composition. Failure to do so may cause the unit to fall, resulting in personal injury.

**Step 4.** Insert the bolt on the Bracket B into the notch in the Bracket A.  
In this event, position the notch between the fixed nut and plain washer on the bolt.

**Step 5.** Run the safety bolt through the holes in the Bracket A, then tighten the bolt using the nut for M8.

**Step 6.** Adjust the speaker's horizontal angle.  
After adjustment completion, tighten the horizontal angle adjustment nut on the Bracket B.  
Horizontal angle adjustment range: 180° to the right or left (360° rotation)

**Step 7.** Adjust the speaker's vertical angle at the HY-0851ST or HY-0852ST side.  
For adjustment instructions, refer to the instruction manual attached to the HY-0851ST or HY-0852ST.